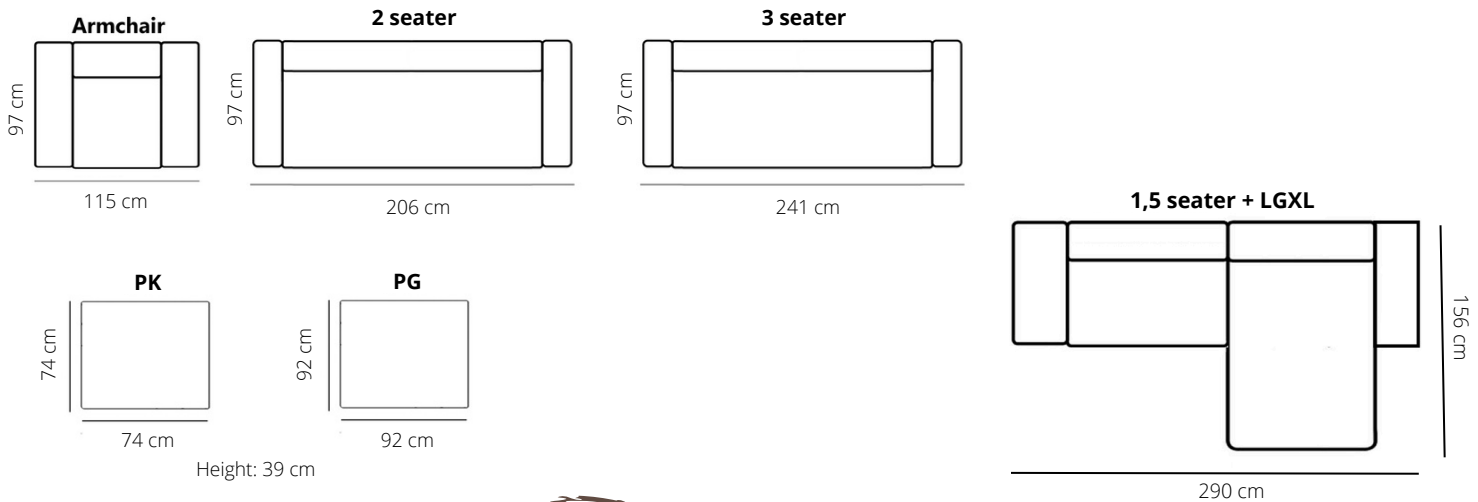


CROFT



ELEMENTS



STITCHING



PIPING

HEIGHT: 77 cm
DEPTH: 97 cm
SEAT HEIGHT: 45 cm
SEAT DEPTH: 59 cm
ARM HEIGHT: 77 cm

PRODUCT INFO

FRAME



pinewood

FILLING

SUSPENSION

BACK



foam HR 23



fibre wool



cardboard

SEAT



foam HR 30



fibre wool



no-sag springs